



	<b>MODEL NO.</b>	AG2412-D281	<b>SHEET NO</b>	1
	<b>DESCRIPTION</b>	<b>SWITCHING MODE AC ADAPTER</b>	<b>ISSUED DATE:</b>	JUL/06/2007
			<b>REVISED DATE:</b>	

APPROVAL SIGNATURE
DATE:

CUSTOMER : Phidgets Inc.

Model : AG2412-D281(2A0F) Phidgets      REV.00

AC Input	<a href="#">100-240Vac</a>	DC Output	<a href="#">12V/2A</a>	PC / NP
DC O/P cable	<a href="#">2468 20# 2.1X5.5X9.5mm 180° Tuning fork +Kink 6FT</a>			
AC plug	AUG 3Pin	Packaging	<a href="#">PE Bag</a>	

	
* Remain Updated *	

Jentec Technology Co., Ltd.  
17F #2 Jian-Ba Rd., Chung-Ho City  
Taipei Hsien , Taiwan.  
Tel : 886-2-8226-2057  
Fax: 886-2-8226-2077  
[www.jentec.com.tw](http://www.jentec.com.tw)



	<b>MODEL NO.</b>	AG2412-D281	<b>SHEET NO</b>	3
	<b>DESCRIPTION</b>	<b>SWITCHING MODE AC ADAPTER</b>	<b>ISSUED DATE:</b>	JUL/06/2007
			<b>REVISED DATE:</b>	

**CONTAINS:**

**INTRODUCTION**

**1.0 INPUT REQUIREMENTS**

- 1.1 Voltage (VAC)
- 1.2 Frequency
- 1.3 In-Rush Current
- 1.4 Ac Input Current

**2.0 OUTPUT REQUIREMENTS**

- 2.1 Output Power
- 2.2 Output Regulation
  - 2.2.1 Input Voltage
  - 2.2.2 Input Frequency
  - 2.2.3 Static Load
  - 2.2.4 Output Voltage
  - 2.2.5 Ripple
- 2.3 Transient Response and Deviation
- 2.4 Turn on, Hold up Time
- 2.5 Efficiency

**3.0 PROTECTION**

- 3.1 Input Current
- 3.2 Output Voltage
- 3.3 Output Current
- 3.4 Short Circuit Protection

**4.0 MECHANICAL**

- 4.1 Introduction
- 4.2 General Requirements
- 4.3 Power Supply Dimensions
- 4.4 Input / Output Connection
- 4.5 Unit Color

**5.0 RELIABILITY AND QUALITY CONTROL**

- 5.1 MTBF
- 5.2 Burn-In

**6.0 ENVIRONMENTAL CONDITIONS**

- 6.1 Non-operating
  - 6.1.1 Ambient Temperature
  - 6.1.2 Relative Humidity
- 6.2 Operating
  - 6.2.1 Ambient Temperature

	<b>MODEL NO.</b>	AG2412-D281	<b>SHEET NO</b>	4
	<b>DESCRIPTION</b>	<b>SWITCHING MODE AC ADAPTER</b>	<b>ISSUED DATE:</b>	JUL/06/2007
			<b>REVISED DATE:</b>	

6.2.2 Relative Humidity

7.0 EMI EMISSIONS

8.0 SAFETY

8.1 Dielectric Strength (Hi-Pot) Test

8.2 Insulation Resistance

8.3 Leakage current

9.0 ENVIROMENTAL PROTECTION

9.1 RoHS and WEEE

9.2 EPA /CEC and MEPS

10.0 PACKAGING

11.0 LABEL/MARKING

12.0 OUTLOOKING

13.0 SAFETY CERTIFICATIONS

	<b>MODEL NO.</b>	AG2412-D281	<b>SHEET NO</b>	5
	<b>DESCRIPTION</b>	<b>SWITCHING MODE AC ADAPTER</b>	<b>ISSUED DATE:</b>	JUL/06/2007
			<b>REVISED DATE:</b>	

## INTRODUCTION

This documents specifies ONE voltage +12V power supply for electronic data processing equipment. The power supply will provide power to all system components.

### 1.0 INPUT REQUIREMENTS

- 1.1 Input Voltage Designing Range: 90~264 VAC.  
 1.2 Line Frequency Designing Range: 47 HZ to 63 HZ.  
 1.3 In-Rush Current: 30 A max. less under 115V conditions.

Interruption of the input voltage for duration sufficient to cause the output voltage to drop below the regulation setting shall cause reactivation of in rush limiting capability. ( Full-load 25°C Cold-start )

- 1.4 Input Current: 0.5 A max. at any line voltage specified in 2.1 at output full load condition.

### 2.0 OUTPUT REQUIREMENTS

#### 2.1 Output Power (Rated Power)

The unit total output power from all voltage under steady state condition will not exceed 24W watts

#### 2.2 Output Regulation

Label Information per Safety Agencies according to UL1950 and or EN60950 Requirements.

- 2.2.1 Input Rated Voltage Range: 100~240 VAC.  
 2.2.2 Line Rated Frequency: 50 HZ to 60 HZ.  
 2.2.3 Static Load

TABLE 2.2.3

Output	Voltage	Minimum Load	Maximum Load	Surge Current
1	+12V	0A	2A	-----

#### 2.2.4 Output Voltage

The output voltage shall be statically regulated for all combinations of load (min./ max.), line and environment, including cross regulation (if any) as shown:

TABLE 2.2.4

Output #	Voltage	Range	Tolerance
1	+12V	+11.4V~+12.6V	-5%,+5%

NOTE: Test measurement will be made at the output connector on the power Supply output cord and well connected on the mating connector.

#### 2.2.5 Ripple and Noise

Differential ripple and noise at the power supply output shall be as

	<b>MODEL NO.</b>	AG2412-D281	<b>SHEET NO</b>	6
	<b>DESCRIPTION</b>	<b>SWITCHING MODE AC ADAPTER</b>	<b>ISSUED DATE:</b> <b>REVISED DATE:</b>	JUL/06/2007

shown below when measured under constant load range of 0.01 ~2A with an oscilloscope with at bandwidth of 20MHz.

TABLE 2.2.5

Output #	Voltage	Maximum peak to peak ripple and noise
1	+12V	120 mV

NOTE: Test measurement will be made at the output connector on the power Supply output cord. With used an aluminum Electrolytic capacitor of 10uf and ceramic of 0.1uf parallel on output terminal can prevent unknown noise pick up.

### 2.3 Transient Response and Deviation

The load regulation for +12V is less than +/-10% while the measuring is down by changing the measured output loading from +20% to +80% of rated load .

### 2.4 Turn on, Hold up Time

During turn on and turn off, no voltage shall exceed its nominal voltage by more than 10% and no output will change its polarity with respect to its return line. All outputs shall reach their steady state values within 2 seconds of turn on and the hold up time for the output must be at least 10 mS tested at 110VAC/50HZ input with 80% maximum load on output.

### 2.5 Efficiency

The efficiency (watt out/watt in) shall be a minimum of 78.6 % under line input 115Vac/60Hz and full load.

## 3.0 PROTECTION

### 3.1 Input Current

An input fuse with a rating of 2A/250V Amps, shall be provided to protect the power supply and the input wiring. Note: The fuse shall be an unchangeable unit.

### 3.2 Output Voltage (OVP)

The power supply shall shut down all outputs when any output voltage reaches to it's over voltage protection trigger point. ( Maximum=130% output voltage)

Note: This is not a repeatable test, when it triggers it is a perennial shut down.

### 3.3 Output Current (OCP)

Overload conditions shall cause both the output current and the output voltages to decrease. Removal of an output overload conditions shall permit automatic recovery of the output voltage. The over current protection point Maximum=300% for all outputs . Note : The total output power should not over Rated power to operate ,otherwise will caused the power supply to damage.

### 3.4 Short Circuit Protection (SCP)

The power supply shall be protected from damage of accidentally short on the output terminal.

	<b>MODEL NO.</b>	AG2412-D281	<b>SHEET NO</b>	7
	<b>DESCRIPTION</b>	<b>SWITCHING MODE AC ADAPTER</b>	<b>ISSUED DATE:</b> <b>REVISED DATE:</b>	JUL/06/2007

## 4.0 MECHANICAL

### Introduction


The power supply will provide

Output power connector show as in

Table 4.1

#### FRONT VIEW OF OUTPUT CONNECTOR

Table 4.1 Pin out for DC Connector

PIN #	Output Voltage
	

### 4.2 General Requirements

The power supply must not exceed an audible noise level of 32 dB while operating under any combination of specified load and input voltages and frequencies. This noise level shall be measured according to IEC standards 651 type 1, with the sound level meter pointed directly at the power supply in a free-field condition, at a distance of 1 meter and by selecting nominal "A" weighting frequency attenuation.

### 4.3 Power Supply Dimensions

The dimensions of the power supply are shown : (75x 40.5x55 m/m)

### 4.4 Input / Output Connection

AC PLUG	AUG 3PIN
DC OUTPUT	2468 20# 2.1X5.5X9.5mm 180° Tuning fork +Kink 6FT

4.5 Unit Color: BLACK

## 5.0 RELIABILITY

### 5.1 Reliability

The design and construction of this power supply shall exhibit a minimum mean time between failure of 50,000 hours full rated load operation at 25.0°C, According to the MIL-HDBK-217F.

### 5.2 Burn-in

The power supply will be performed 100% burn-in at 40°C (±5°C) under 80%-100% of full load on all power supplies.

## 6.0 ENVIRONMENT

### 6.1 Storage

The power supply shall be capable of withstanding the following environmental conditions for extended periods of time, without sustaining electrical and/or mechanical damage and subsequent operational deficiencies:

	<b>MODEL NO.</b>	AG2412-D281	<b>SHEET NO</b>	8
	<b>DESCRIPTION</b>	<b>SWITCHING MODE AC ADAPTER</b>	<b>ISSUED DATE:</b>	JUL/06/2007
			<b>REVISED DATE:</b>	

6.1.1 Ambient temperature:  $-25^{\circ}\text{C} \sim +85^{\circ}\text{C}$

6.1.2 Relative Humidity: 10% ~ 95%

## 6.2 Operation

The power supply shall be capable of operating continuously in any mode without performance deterioration in the following environmental conditions:

6.2.1 Ambient Temperature:  $0^{\circ}\text{C} \sim 40^{\circ}\text{C}$

6.2.2 Relative Humidity: 10% ~ 95%.

## 7.0 EMI EMISSIONS

The power supply meets the radiated and conducted emission requirements for a CISPR22(EN55022) class B

## 8.0 SAFETY

The power supply must be certified or meet of the following safety standards:

	Certified	Meet
C-Tick	★	
DOIR	★	
CE	★	

### 8.1 Dielectric Strength (Hi-Pot) Test System:

Withstand AC 3 K V/10mA, for 2 sec./ min., primary to secondary.

### 8.2 Insulation Resistance:

Primary to secondary: 10 M OHM at 500 VDC .

### 8.3 Leakage current: $\leq$ 0.25mA

## 9.0 ENVIROMENTAL PROTECTION

### 9.1 RoHS and WEEE

This product from design to production all the parts and process should meet the requirement of Restriction of the use of certain hazardous substances in electrical and electronic equipment RoHS directive 2002/95/EC and also meet the directive 2002/96/EC of Waste electrical and electronic equipment (WEEE) .

### 9.2 EPA/CEC/MEPS regulation

To meet the energy saving trend, this product has designed to meet the American EPA energy star program for the EPS regulation , or requirement of CEC 400-2006-002, AS/NZS/4665.2.2005 for Australia and New Zealand.

## 10.0 PACKAGING: PE Bag .



	<b>MODEL NO.</b>	AG2412-D281	<b>SHEET NO</b>	9
	<b>DESCRIPTION</b>	<b>SWITCHING MODE AC ADAPTER</b>	<b>ISSUED DATE:</b> <b>REVISED DATE:</b>	JUL/06/2007

## 11.0 LABEL/MARKING

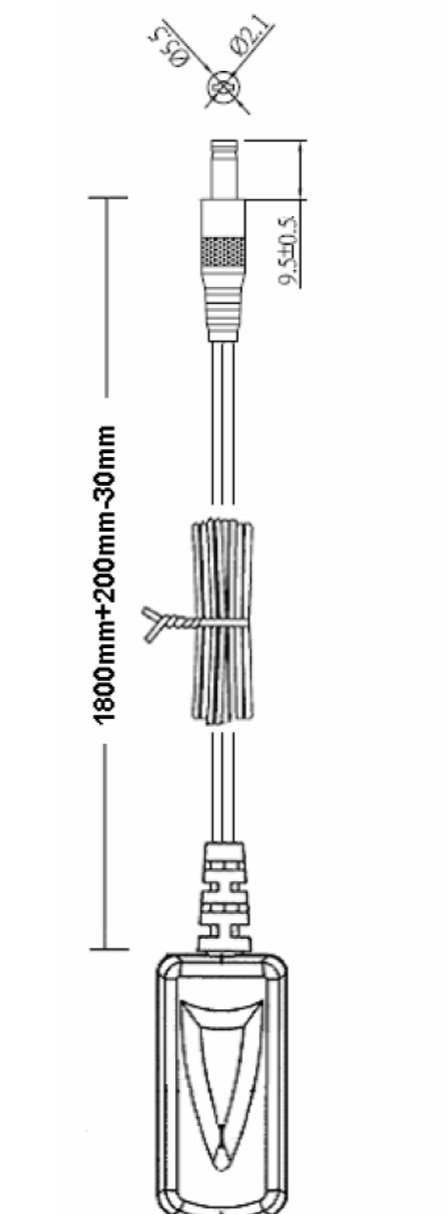
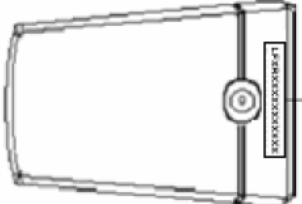
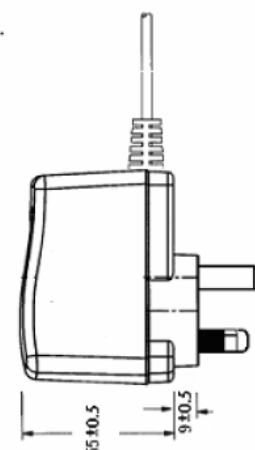






White Background with Green wordings and marks



\* Remain Updated \*

	<b>MODEL NO.</b>	AG2412-D281	<b>SHEET NO</b>	10
	<b>DESCRIPTION</b>	<b>SWITCHING MODE AC ADAPTER</b>	<b>ISSUED DATE:</b>	JUL/06/2007
			<b>REVISED DATE:</b>	

## 12.0 OUTLOOKING

	<p><b>Note:</b></p> <ol style="list-style-type: none"> <li>1. Length : 1800mm±200mm-30mm</li> <li>2. Type : UL 2468 20AWG</li> <li>3. 180° molding plug type</li> <li>4. Kink and Tuning Fork</li> <li>5. Diameter Outside : 5.5mm ± 0.1 Inside : 2.1mm ± 0.1</li> <li>6. Connector color : Black</li> </ol>  	<div data-bbox="702 1646 1109 2027">  <p><b>JENTEC TECHNOLOGY CO., LTD.</b>  Model No.: AG2412-D  INPUT:100-240V-50-60Hz-0.5A  OUTPUT:+12V/2A</p>  <p>N136 V06749</p>     <p>L.T.E. POWER SUPPLY Made in China XX</p> </div> <table border="1"> <thead> <tr> <th>Rev.</th> <th>Description</th> <th>Issuing date</th> <th>Description</th> <th>Mechanical Dimension Drawing</th> </tr> </thead> <tbody> <tr> <td>1. 00</td> <td>Original</td> <td>JUL/06/2007</td> <td>Checked by : <i>Charles Huang</i> JUL/06/2007</td> <td>Drawn by : <i>Charles Huang</i> JUL/06/2007</td> </tr> <tr> <td>2.</td> <td></td> <td></td> <td></td> <td></td> </tr> <tr> <td>3.</td> <td></td> <td></td> <td></td> <td></td> </tr> <tr> <td>4.</td> <td></td> <td></td> <td></td> <td></td> </tr> <tr> <td>5.</td> <td></td> <td></td> <td></td> <td></td> </tr> <tr> <td>6.</td> <td></td> <td></td> <td></td> <td></td> </tr> </tbody> </table>	Rev.	Description	Issuing date	Description	Mechanical Dimension Drawing	1. 00	Original	JUL/06/2007	Checked by : <i>Charles Huang</i> JUL/06/2007	Drawn by : <i>Charles Huang</i> JUL/06/2007	2.					3.					4.					5.					6.				
Rev.	Description	Issuing date	Description	Mechanical Dimension Drawing																																	
1. 00	Original	JUL/06/2007	Checked by : <i>Charles Huang</i> JUL/06/2007	Drawn by : <i>Charles Huang</i> JUL/06/2007																																	
2.																																					
3.																																					
4.																																					
5.																																					
6.																																					

	<b>MODEL NO.</b>	AG2412-D281	<b>SHEET NO</b>	11
	<b>DESCRIPTION</b>	<b>SWITCHING MODE AC ADAPTER</b>	<b>ISSUED DATE:</b>	JUL/06/2007
			<b>REVISED DATE:</b>	

## 13.0 SAFETY CERTIFICATIONS

### **QUALSURE CONSULTANTS**

PO Box 80 Rosedale Vic. 3847 Australia  
Phone +61 412 933497 Fax +61 3 5199 2544



## Supplier's Declaration of Conformity

Radiocommunications Act 1992 Section 182

### **Suppliers Details**

Name: **Qualsure Consultants** ACN

o f 18 Hood Street Rosedale Vic. 3847

Supplier Code N136

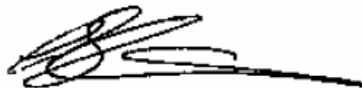
### **Product Details**

<i>Product</i>	<i>Trade Name</i>	<i>Model Numbers</i>
Switching Power Adapter	JENTEC TECHNOLOGY CO.,LTD	<b>AF24XX-Z</b> (XX=05-08 denotes output voltage; Z=D or Y) D= Australia Plug, Y= Desk-top type
Switching Power Adapter	JENTEC TECHNOLOGY CO.,LTD	<b>AG24XX-Z</b> (XX=09-12 denotes output voltage; Z=D or Y) D= Australia Plug, Y= Desk-top type
Switching Power Adapter	JENTEC TECHNOLOGY CO.,LTD	<b>AH24XX-Z</b> (XX=12-15 denotes output voltage; Z=D or Y) D= Australia Plug, Y= Desk-top type

Australian Standard(s) Title	Number	Date of issue
Information technology equipment - Radio disturbance characteristics - Limits and methods of measurement	AS/NZSCISPR22	2004

### **Declaration**

I hereby declare under sole responsibility that the product mentioned above to which this declaration relates complies with the above mentioned standard(s).



Gordon Slimmon  
Director  
31 Oct 06

	MODEL NO.	AG2412-D281	SHEET NO	12
	DESCRIPTION	SWITCHING MODE AC ADAPTER	ISSUED DATE: REVISED DATE:	JUL/06/2007

Certificate Number: 06749/0

**energysafe**  
VICTORIA

## CERTIFICATE OF APPROVAL

This is to certify that Energy Safe Victoria, Australia has, in accordance with the Electricity Safety (Equipment) Regulations 1999, approved the prescribed electrical equipment described hereunder, for which application for approval has been made by-

NAME & ADDRESS: Jantec Technology Co. Ltd  
14F -9, No. 2, Jian-Ba Rd.  
Chung-Ho City,  
Taipei Hsien, Taiwan 235

DESCRIPTION OF ELECTRICAL EQUIPMENT:

**Power Supply or Charger**, Power Supply, Trade Name "Jantec Technology Co., Ltd.", Cat No(s): AF24XX-D, AG24XX-D, AH24XX-D. 100 - 240 V, 0.5 A, 50 - 60Hz AC, Output: 9 - 24 V, 0 - 2.2 A, 24 W Max., DC. Accepted as complying to AS/NZS 60950.1

**Required Marking: V06749**

Unless withdrawn for any reason, **this approval shall expire on 17/11/2011.**

Electrical equipment covered by this approval must comply in all respects with the approved article, and prior to being supplied or offered for supply, must be clearly and indelibly marked with the required marking indicated above, or the Regulatory Compliance Mark (RCM) provided that the requirements of all relevant parts of AS/NZS 4417 applicable to the article are fulfilled.

Any modifications to the electrical equipment or its place of manufacture must be approved by Energy Safe Victoria prior to the equipment being supplied or offered for supply.

Notification must be given to Energy Safe Victoria of any change to the name or address of the holder of the certificate within 20 business days.

Under mutual recognition provisions this approval permits the abovementioned prescribed electrical equipment to be supplied or offered for supply in all States and Territories of Australia and New Zealand.

DATE OF APPROVAL: 17/11/2006

  
Energy Safe Victoria

  
The Place To Be

	<b>MODEL NO.</b>	AG2412-D281	<b>SHEET NO</b>	13
	<b>DESCRIPTION</b>	<b>SWITCHING MODE AC ADAPTER</b>	<b>ISSUED DATE:</b> <b>REVISED DATE:</b>	JUL/06/2007



### VERIFICATION OF COMPLIANCE

This Verification of Compliance is hereby issued to the product designated below.

Product ADAPTOR  
Model AX24XX-X (The first X = H, F, G; The other X = 0-9, A-Z)  
Trade name JENTEC  
Applicant Jentec Technology Co., Ltd.  
17F, No. 2, Jian-Ba Rd., Chung-Ho City,  
Taipei Hsien, Taiwan, R.O.C.

Applicable Standard(s) EN 55022: 1998 + A1: 2000 + A2: 2003  
EN 61000-3-2: 2000  
EN 61000-3-3: 1995 + A1: 2001  
EN 55024: 1998 + A1: 2001 + A2: 2003  
IEC 61000-4-2: 1995 + A1: 1998 + A2: 2000;  
IEC 61000-4-3: 2002 + A1: 2002;  
IEC 61000-4-4: 1995 + A1: 2000 + A2: 2001;  
IEC 61000-4-5: 1995 + A1: 2000; IEC 61000-4-6: 1996 + A1: 2000;  
IEC 61000-4-8: 1993 + A1: 2000; IEC 61000-4-11: 1994 + A1: 2000

Report No. 51027106-E  
Test Laboratory Compliance Certification Services Inc.  
No. 81-1, Lane 210, Bade Rd., 2, Luchu Hsiang,  
Taoyuan Hsien, Taiwan, R.O.C.  
Tel: +886-3-3240332/ Fax: +886-3-3245235

This device has been tested and found to comply with the stated standard(s), which is(are) required by the Council Directive of 89/336/EEC, Amended by 92/31/EEC and 93/68/EEC. The test results are indicated in the test report and are applicable only to the tested sample identified in the report.

*Kurt Chen*

Kurt Chen / Director of Linkou Laboratory  
Date: November 4, 2005