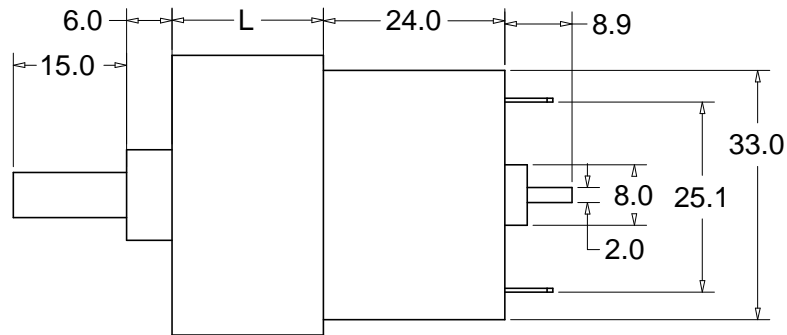
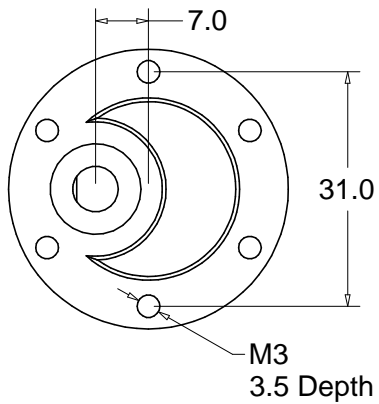
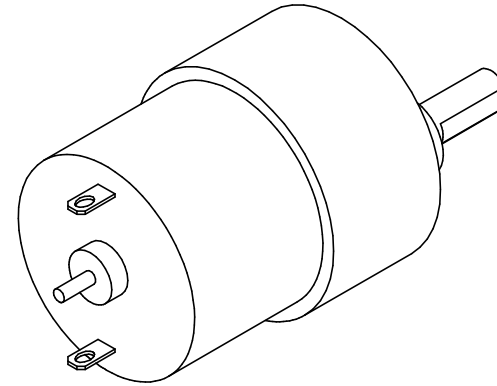
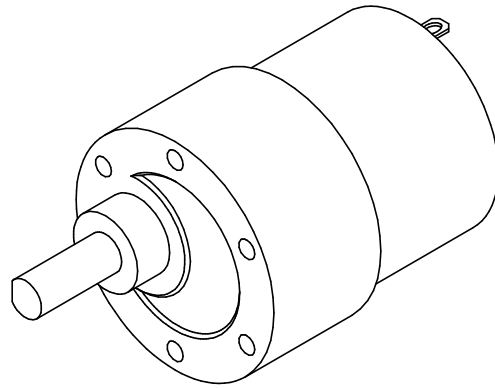
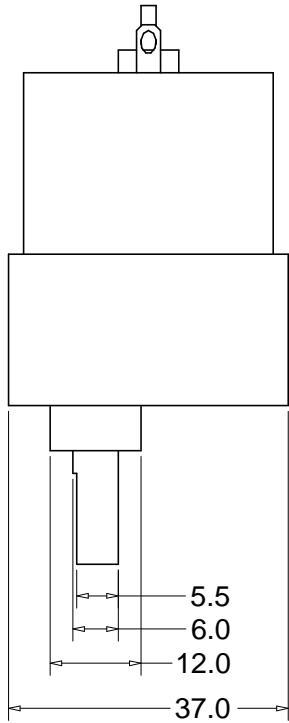




# DC Motor - 12V/0.59W

## Mechanical Drawing



| Product Number | Length "L" (mm) |
|----------------|-----------------|
| 3254_0         | 19.0            |
| 3255_0         | 21.5            |
| 3256_0         | 24.0            |
| 3257_0         | 24.0            |

Units are in mm