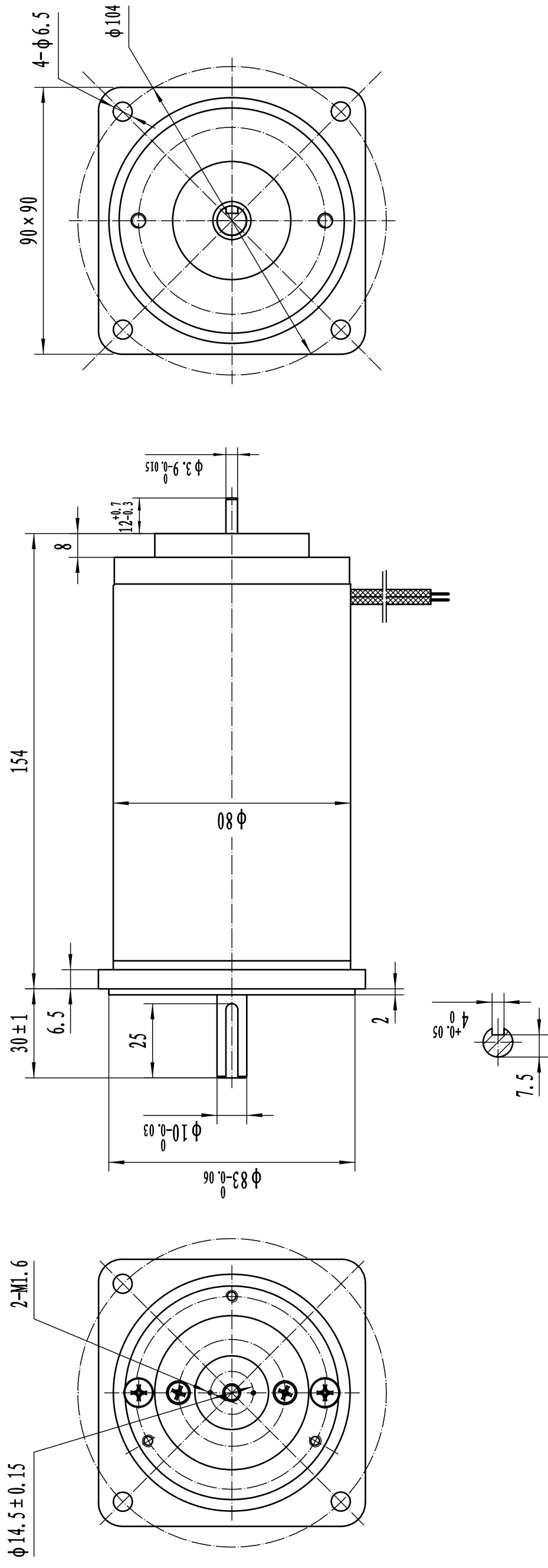


Z00 '9191 'Z00



Technical Data

Voltage : 24VDC
 No Load Speed : $3500 \pm 10\%$ r/min
 Rated Speed : $3000 \pm 10\%$ r/min
 Rated Torque : 0.70 N.m
 Rated Current : $\leq 13A$
 Duty cycle : S2 45Mins

REV.		QTY.	No.	SIG.	DATE
DESIGN		许卫刚		2018.01.18	STD.
CHECK					
PROC.				APPR.	
C.I.S. MAX		QTY	SCALE		
S			1:1		
PAGE	1	OF	1		
DONGZHENG MOTOR			外形图		
80ZY125-2435G1030-B					
P/N.			REV		
0DZ.1616.002					